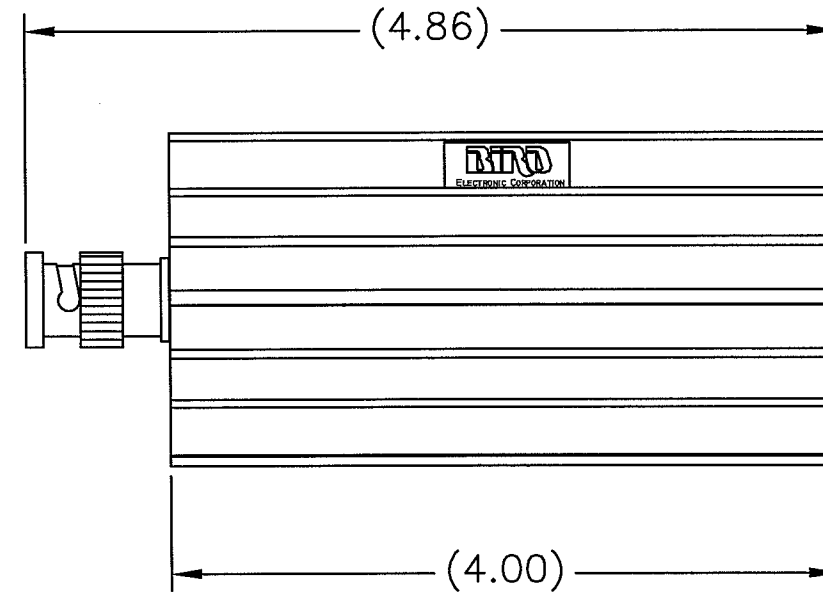
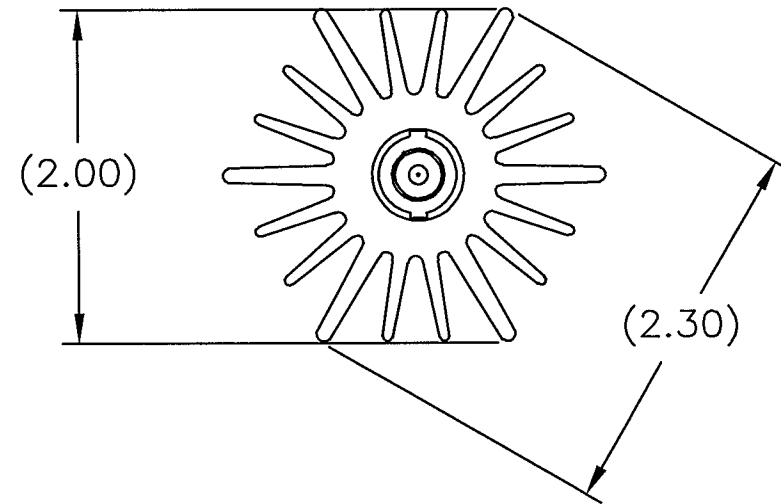


REV A
SHEET 1
DWG No. 25-T-MB

SPECIFICATIONS:
 25 WATT COAXIAL TERMINATION
 POWER RATING: 25 WATTS MAXIMUM @ 40°C.
 30 WATTS MAXIMUM @ 25°C.
 CONNECTOR: BNC-TYPE, MALE
 FREQUENCY RANGE & VSWR: DC TO 1GHz AT 1.10:1 MAX.
 1GHz TO 4GHz AT 1.25:1 MAX.
 IMPEDANCE: 50 OHMS, NOMINAL
 AMBIENT TEMPERATURE RANGE: -40°C TO +40°C
 OPERATING POSITION: ANY
 COOLANT: DRY (CONVECTION COOLED)
 FINISH: BLACK ANODIZED COOLING FINS, SILVER OR TRI-ALLOY PLATED CONNECTORS
 NOMINAL SIZE: 4.86"L X 2.3" DIA. (WITH BNC-TYPE, MALE CONNECTOR)
 WEIGHT: APPROX. 7 OZ.

REVISIONS				
ZONE	REV	DESCRIPTION	DATE	APPROVED
	A	ECN #0185	12-19-97	MBV



UNLESS OTHERWISE SPECIFIED
 DIMENSIONS ARE IN INCHES
 TOLERANCES ARE:
 FRACTIONS DECIMALS ANGLES
 ± 1/64 .XX = ± .010 ± 30'
 .XXX = ± .005

MILLIMETERS
 .X = ± .4
 .XX = ± .12

THIS DRAWING IS THE PROPERTY OF THE BIRD ELECTRONIC CORPORATION. THE DESIGNS AND SPECIFICATIONS DISCLOSED HEREON ARE PROPRIETARY AND SHALL NOT BE REPRODUCED, NOR COPIED, NOR USED AS THE BASIS FOR THE MANUFACTURE OR SALE OF APPARATUS OR DEVICES WITHOUT THEIR EXPRESS WRITTEN CONSENT.



BIRD Electronic Corporation
 Cleveland (Solon) Ohio USA

MATERIAL		APPROVALS		DATE	TITLE			
		DRAWN	D.M.RINK	5-15-03	FINAL ASS'Y, TERMINATION BNC-TYPE MALE, 25W			
		CHECKED			SIZE	FSCM NO.	DWG. NO.	REV
FINISH		APPROVED	MBV	6-15-03	B	70998	25-T-MB	A
				AUTOCAD	SCALE	1:1	COMM CODE	LD1
					SHEET	1 OF 1		